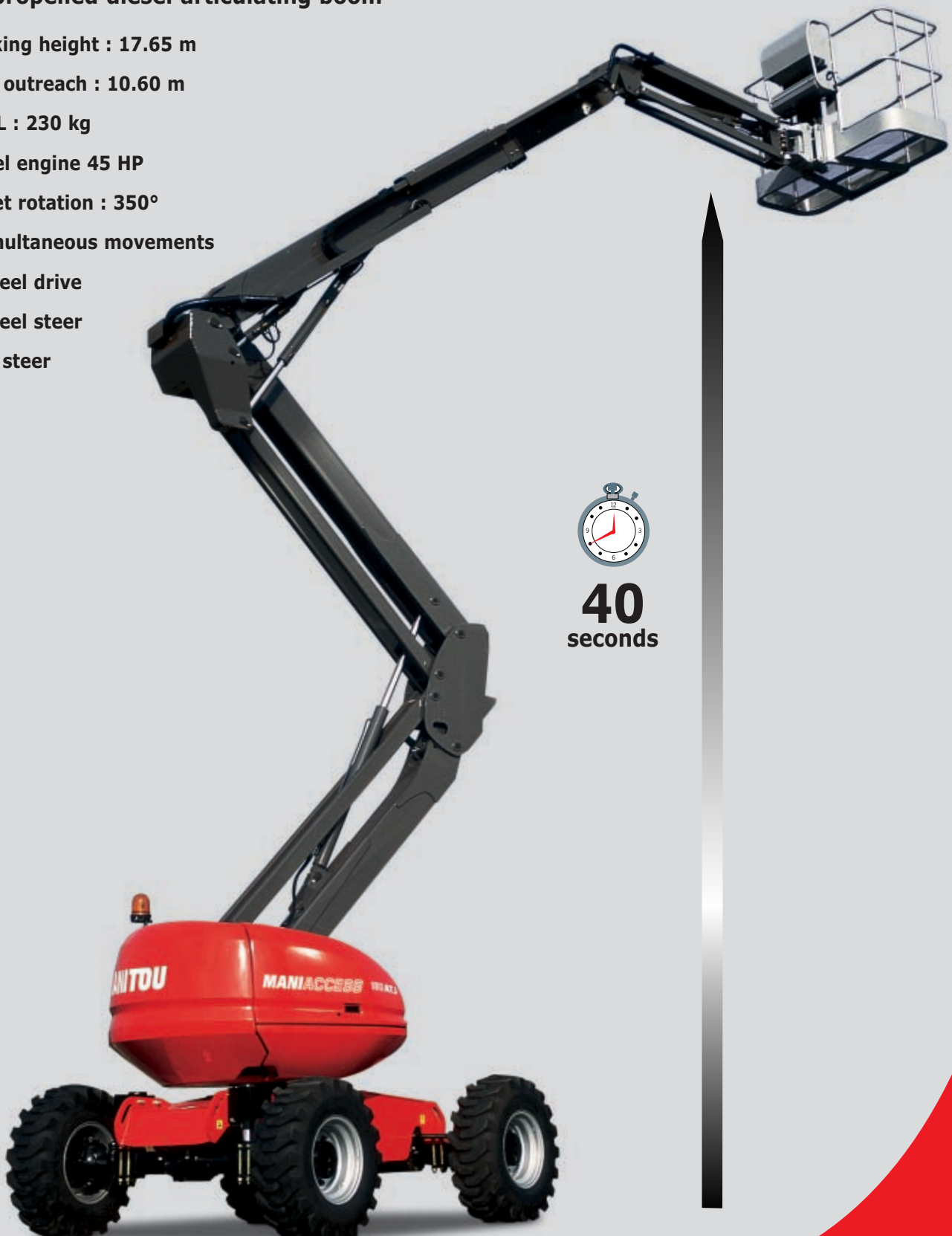


### Self-propelled diesel articulating boom

- Working height : 17.65 m
- Max. outreach : 10.60 m
- S.W.L : 230 kg
- Diesel engine 45 HP
- Turret rotation : 350°
- 4 simultaneous movements
- 4 wheel drive
- 4 wheel steer
- Crab steer



**40**  
seconds

# 180 ATJ

**Working height** .....17.65 m  
**Platform floor height** .....15.65 m  
**Max. outreach** .....10.60 m  
**Up and over clearance** .....7.15 m  
**Jib movement** .....+70°/-70°  
**Basket rotation** .....+90°/-90°  
**Turret rotation** .....350°

**Capacity** .....230 kg  
**External use** .....wind 45 km/h  
**Basket size** .....1.80 x 0.80 m  
**Lifting time** .....40 s

**① Width** .....2.30 m  
**② Length** .....7.77 m  
**③ Length (Travel/transport)** .....5.77 m  
**④ Height** .....2.37 m  
**⑤ Height (Travel/transport)** .....2.53 m

**⑥ Inside turning radius** .....1.32 m  
**⑦ Outside turning radius** .....3.66 m  
**⑧ Outside turning radius with basket** .....6.87 m  
**⑨ Ground clearance** .....42.5 cm  
**⑩ Wheelbase** .....2.20 m  
**Working speed (km/h)** .....0.8 km/h  
**Maximum travel speed (km/h)** .....6.0 km/h

**Diesel engine**  
 PERKINS 404 C 22 .....45 HP

**Gradeability on rough terrain** .....40%  
**Max. slope accepted** .....5° or 9%

**Hydraulic tank** .....54 l.  
**Diesel tank** .....52 l.

**Tyres** .....18"  
 4 wheel drive/4 wheel steer/crab steer  
 Roues en position crabe

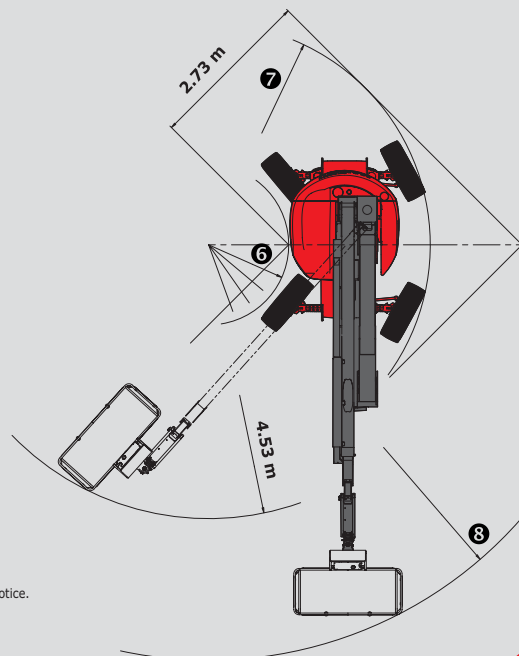
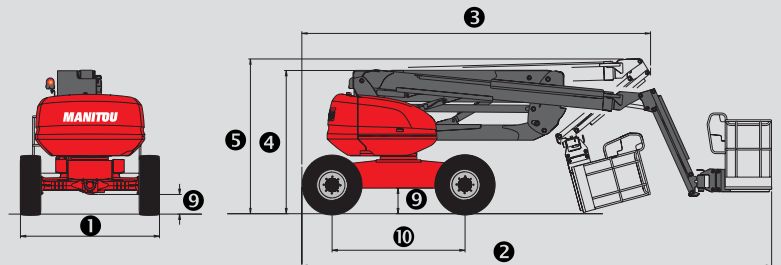
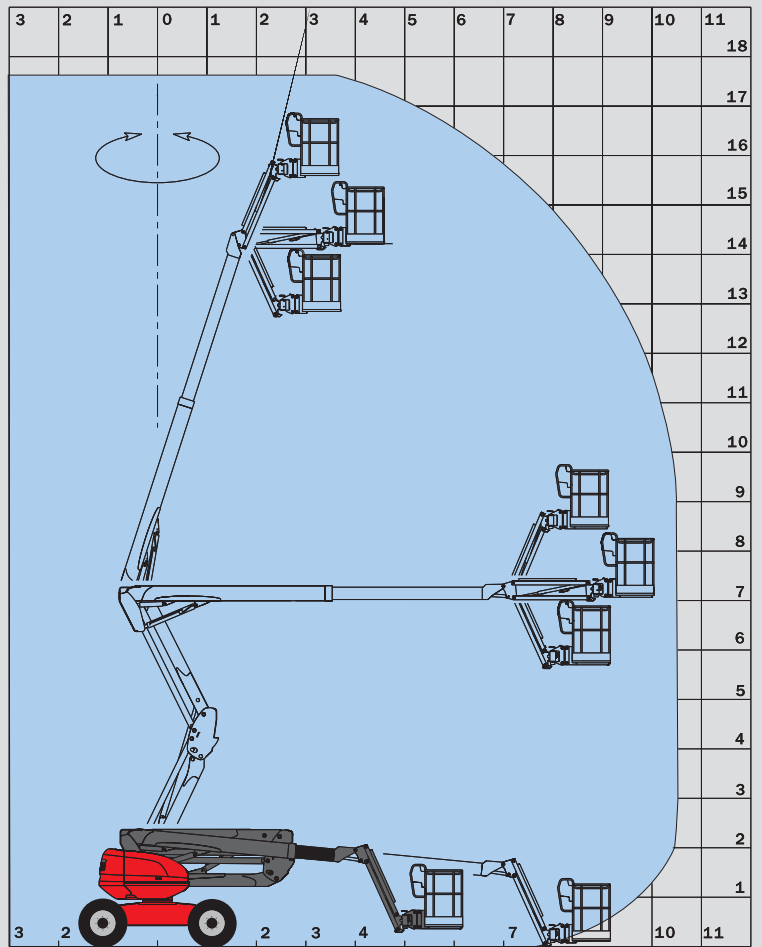
**Weight** .....8 090 kg

## Standard equipment

- Proportional controls
- 4 simultaneous movements
- Foam filled tyres
- Differential lock
- Limited-slip front axle
- Diagnostic-calibrator
- hourmeter
- Low-fuel indicator
- Horn
- Flashing beacon
- Audible and visual tilt and overload alarms
- Slope over ride
- Lifting eyes
- Electric emergency pump
- Prefitted for 230 V
- Dead man's pedal
- Tool tray
- Protective cover (lockable)

## Options

- **Wide basket**  
 (2.10 m x 0.80 m)  
 with 20" tyres
- **Oscillating axle**
- **Continuous rotation**
- **On-board generator**
- 230 V outlet with residual current device
- Prefitted for compressed air
- Prefitted for water
- Working headlight
- Special paint
- Biodegradable oil
- All movement alarm
- Beep on travel
- 20" tyres
- Catalytic purifier
- Refinery kit
- Safety harness



This publication in no way constitutes an offer and the company reserves the right to alter specification without prior notice.  
 The equipment supplied with each model may differ from that described in this leaflet.  
 For more details, contact your MANITOU dealer.  
 Machines directives compliance (EN 280) and country/standard where the machine is delivered.

